

## Product Name:SF-pogo pin

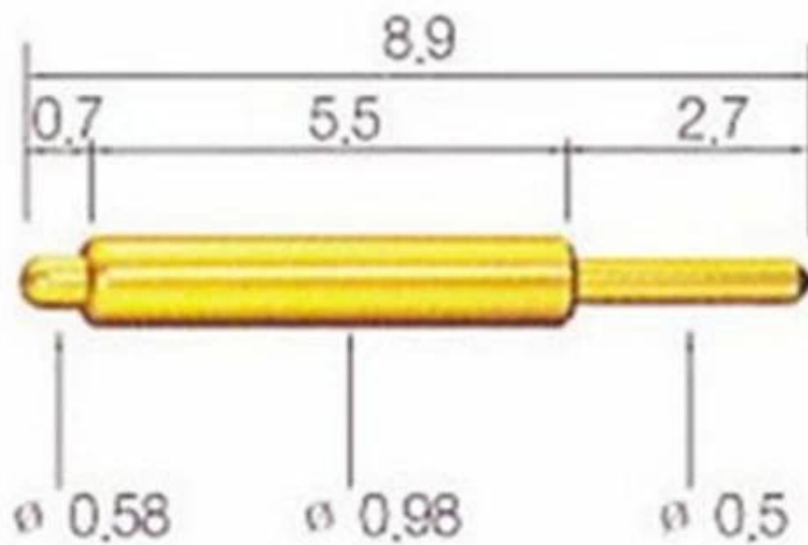
Material and finishes

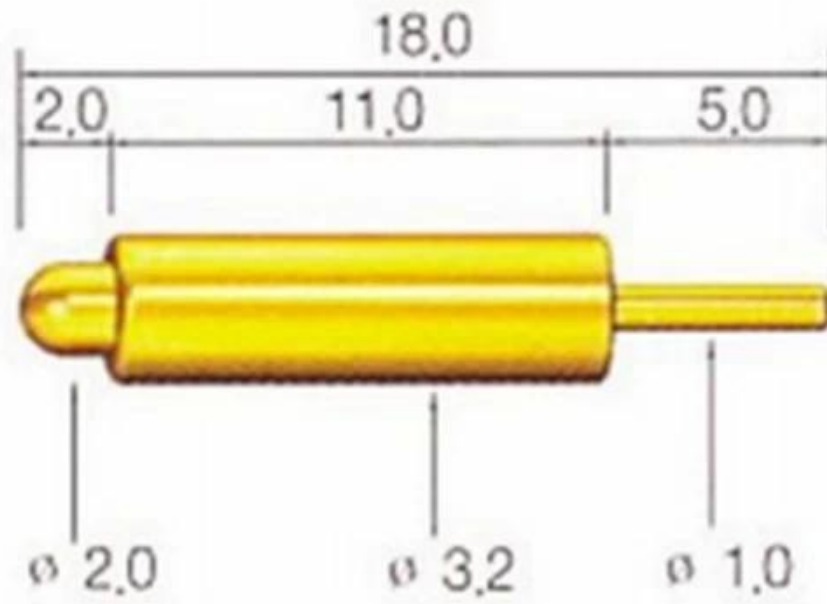
Plunger:Be Cu,Rh plated

Barrel:Brass,Gold plated

Spring:Stainless steel

## Pictures





Our factory



Our equipment

Spring exhausted tester	DC power supply	Current resistance tester
		
Microscope	Tensile strength tester	Spring tester
		

Package

