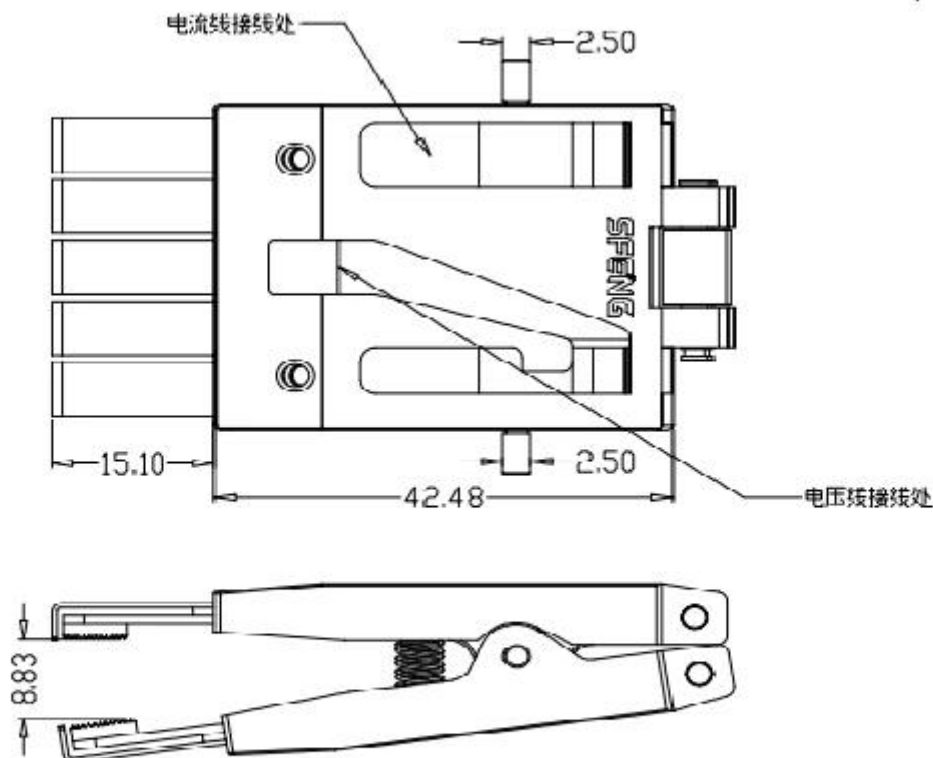


## About Us

SFENG was founded in 1984 and headquartered in Ningbo. It is a professional enterprise integrating research, development, production, and sales. ([High current solutions supplier china](#)) Products include in-circuit spring test probe, semiconductor spring test probe, battery charging pogo pin and the related accessories. Products are widely used in technology, automobiles, energy, telecommunications, medical, and other peripheral electronic products.

## Product Specification:

This type of Gripper is for Battery connection solution.

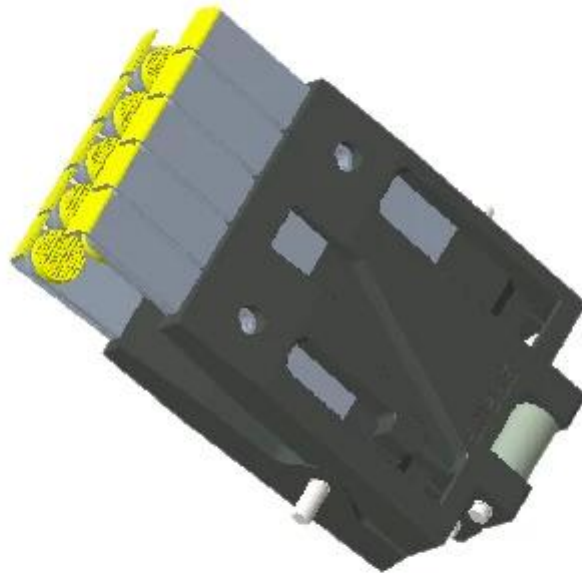


## Product Description:

Product Name	Battery Clip
Item No.	SF33-6-23-60A
Material	Copper
Plating	Gold plated
Current	60A
Lifetime	300,000times
Leadtime	7-10 days

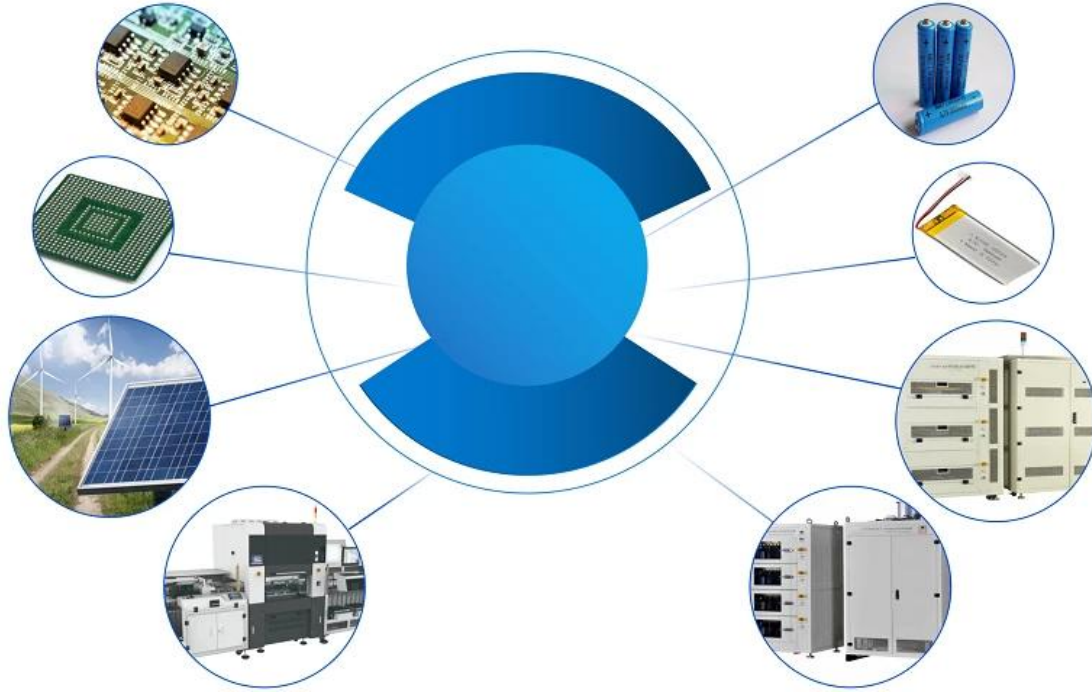
## Product Show

**SFENG**  
The China's The World's



## Application

Coaxial cables are mainly used by phone companies, cable operators, and internet service providers to transmit data, video, and voice communications to homes. They are also increasingly used in local networking.



**Package:**



## FAQ:

Q1.Are you a manufacturer?

A1: Yes, we are an experienced manufacturer with our own molds and production lines.

Q2.How about quality of products?

A2: Our technicians and QC teams test the products one by one using aging line, professional devices and instruments to ensure the quality for all products.

Q3.How about price?

A3: We are a manufacturer and always offer our customers the most competitive prices.

Q4.How to place an order?

A4: Contact with online service, or sent email to us directly, we will reply to you with product price,

specifications, packing etc. soon. Thank you.

Q5. May I buy samples from you?

A5: Yes! You are welcome to place sample order to test our superior quality and service, mixed samples are acceptable.

Q6. Can I visit your factory?

A6: Yes, welcome to visit our factory at your convenient time.

Q7. How can I make OEM or ODM orders?

A7: We have different print processing for different OEM/ODM orders. Please contact us with online service or send email to us directly.

Q8. How should I pay for my orders?

A8: You can pay by T/T, L/C at sight would be available for qualified bank and MOQ required for each order.

## **Logistics:**

Sample order ship by DHL, UPS, FedEx, TNT, EMS etc

For mass order delivery, can be optional with terms of Exwork, FOB, CNF, CIF by air or by sea based on the buyer's forwarder or ours



## Certifications











**Exhibition & Fair**





CIBF2021

苏州胜亿福睿电子科技有限公司  
Suzhou Shengyifurui Electronic Technology Co., Ltd

No.3B013

