

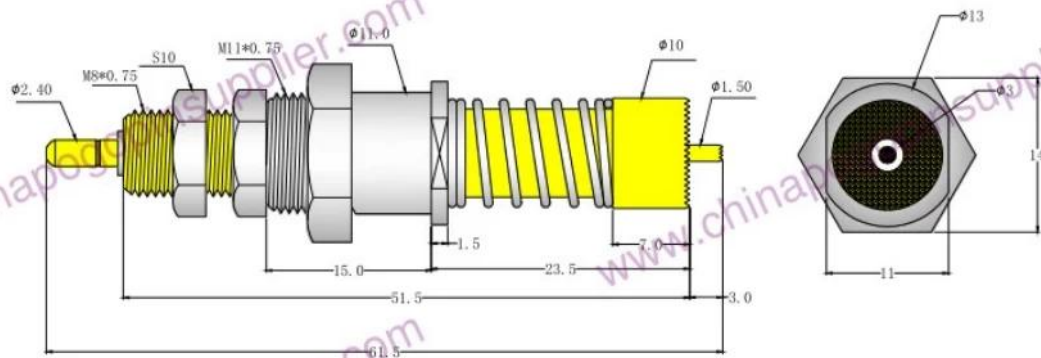
Product Specification

Fire	SFENG
Item number	SF-PV1-H-H M11*26.5
plunger	stainless stem
barrel	Brass
Spring	stainless steel
Spring force	280g±20% @3.0mm or customized
Current rating	50A
Current Resistance	costomzied
Pitch	no
mounting hole size	No
MOQ	100pcs
lead time	7 working days after receiving the payment

Product pictures



Product drawing



技术参数

- | | |
|-------|------------------------------------|
| 1、中心针 | 镀铜/镀金 |
| 2、大针杆 | 黄铜/镀金 |
| 3、针套 | 黄铜/镀镍 |
| 4、螺帽 | 黄铜/镀镍 |
| 5、弹簧 | SUS304 |
| 6、弹力 | 中心针 下压3.0 280-300g
大针杆 压平 2000g |

- | | |
|------------------|------------|
| 说明: 1、所有尺寸的单位为mm | |
| 2、未注图示尺寸公差: | |
| X. | ± 0.1 |
| X.X | ± 0.05 |
| X.XX | ± 0.02 |

our Service

1. We can reply your inquiry within 24 working hours.
2. Customized design is available and OEM are welcomed.
3. We can deliver the probe pins to our clients all over the world with speed and precision.
4. We can provide the lowest price with high quality product to our client .

Main Products

jump loaded pin (single) for PCB, ICT, FCT testing etc;

Pogo pin (connector) to establish connection between two printed circuit boards for charging, locating, Battery, Semiconductor & Interconnect applications;

Double ended probe for BGA and Semiconductor testing;

Universal pin without jump, coating pin, LM pin with QZ and VZ series;

High current probe, Switch probe, Capacitance needle;

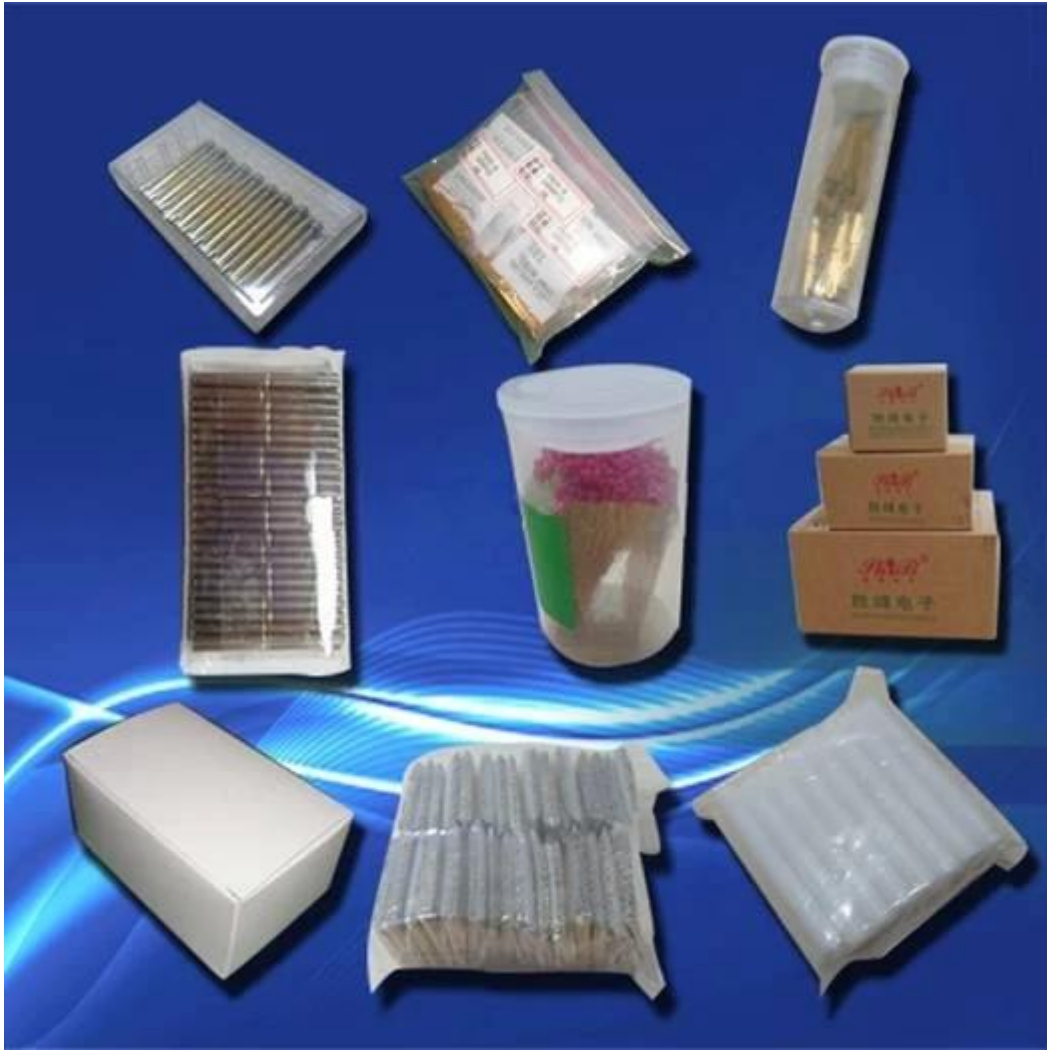
Terminal & receptacle /socket;

Other related electronic components, 30# OK wire, Jig locks, POM, Iron hinge etc

Quality Control

Spring exhausted tester	DC power supply	Current resistance tester
		
Microscope	Tensile strength tester	Spring tester
		

package



Shipping:

