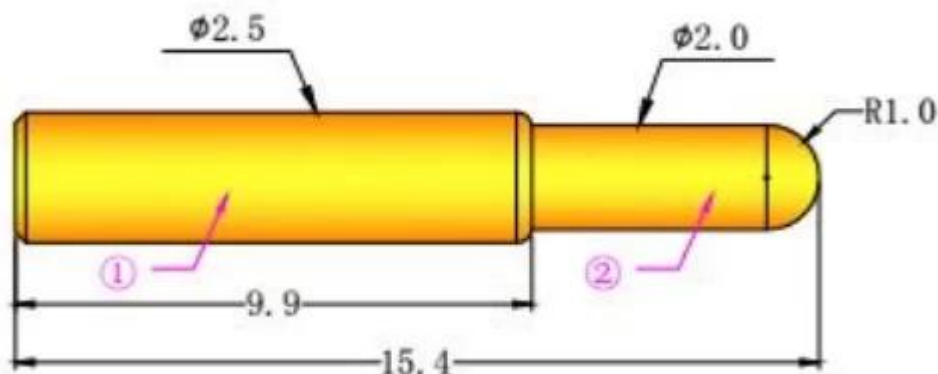


## Specification

Item Code	SF-PPA2.5*15.4
Material	Barrel: Brass, Au on Ni plated Plunger: Brass, Au on Ni plated Spring: SUS304
Current Rating	2A
Contact Resistance	□50mΩ
Rated Stroke	3.0mm
Spring force	120±10% gf@load 3.0mm

## Pictures



## ShengFeng Probe

Our company established in 1984, Shengfeng Probe, the register name of Suzhou Shengteng Electronic Co., Ltd, specializing in the spring probe & the pogo pin & Terminal block with good quality, fast delivery and best service.

## Our Advantages

1. we have 30 years experience in probe pin and have ourself factory.
2. we provide free sample and have a testing department.
3. we could manufacture products as your request.
4. we guarantee best price and good service.

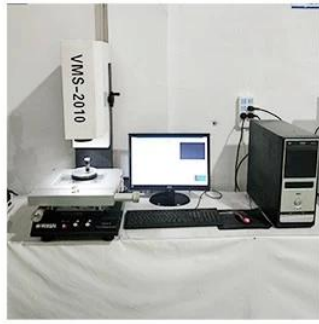
## Our factory



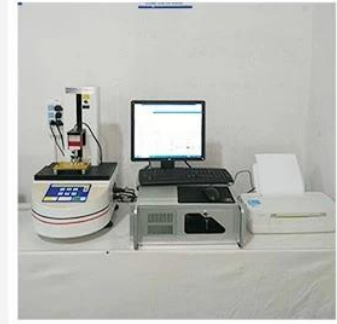
## Our equipment



**1. Agilent current testing**



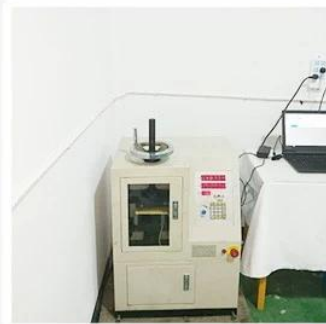
**2. Quadratic element**



**3. Load Curve Meter**



**4. Bond Test**

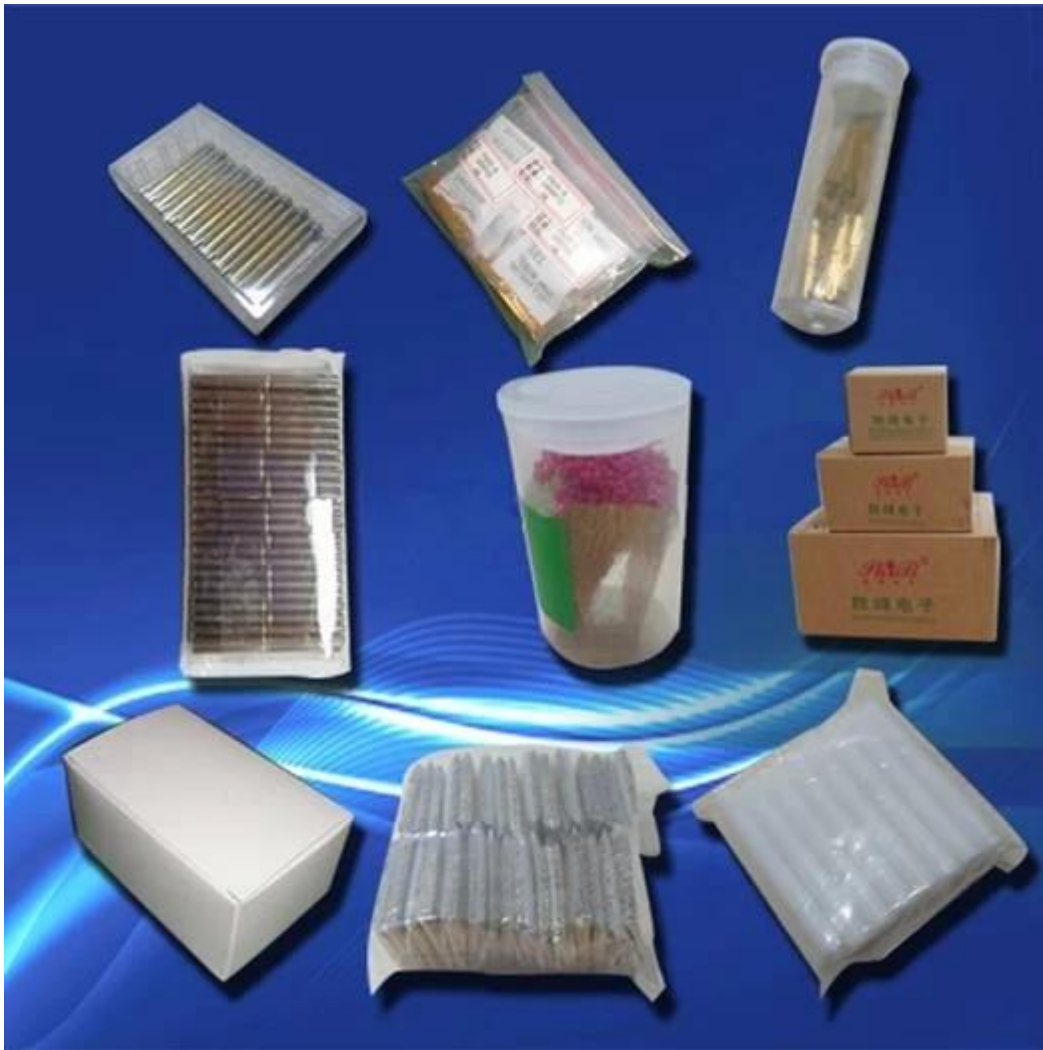


**5. Life Fatigue Test**



**6. Microscope**

**Our package**



## Shipping information

Standard products will be delivered out within 3 days. Customized products will be sent out within 15 days.

