

## Product Name:SF-pogo pin

### Material and finishes

Plunger:Be Cu,Rh plated

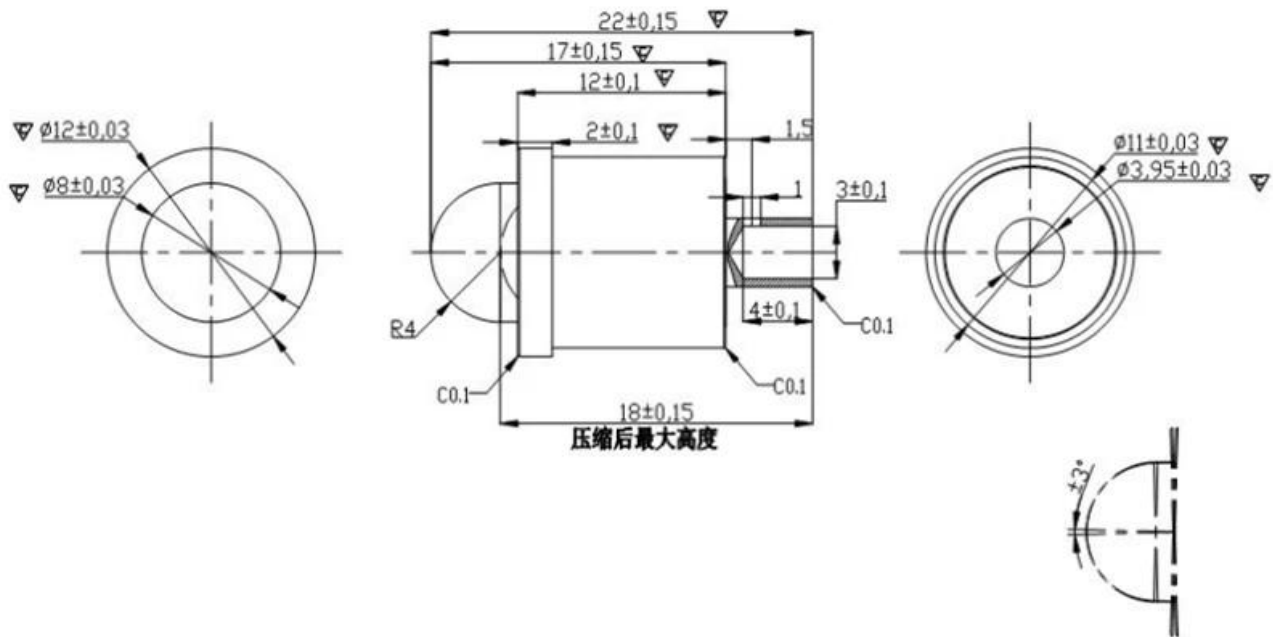
Barrel:Brass,Gold plated

Spring:Stainless steel

### Pictures



### Drawing



- Any tips,we could provide for you
- If you are interested in it,pls contact me

## ShengFeng Probe

Our company established in 1984,Shengfeng Probe,the register name of Suzhou Shengteng Electronic Co.,Ltd,specializing in the spring probe & the pogo pin &Terminal block with good quality,fast delivery and best service.

## Our Advantages

- 1.we have 30 years experience in probe pin and have ourself factory.
- 2.we provide free sample and have a testing department.
- 3.we could manufacture products as your request.
- 4.we guarantee best price and good service.

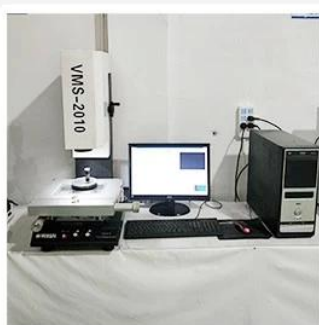
## Our factory



## Our equipment



1. Agilent current testing



2. Quadratic element



3. Load Curve Meter



4. Bond Test

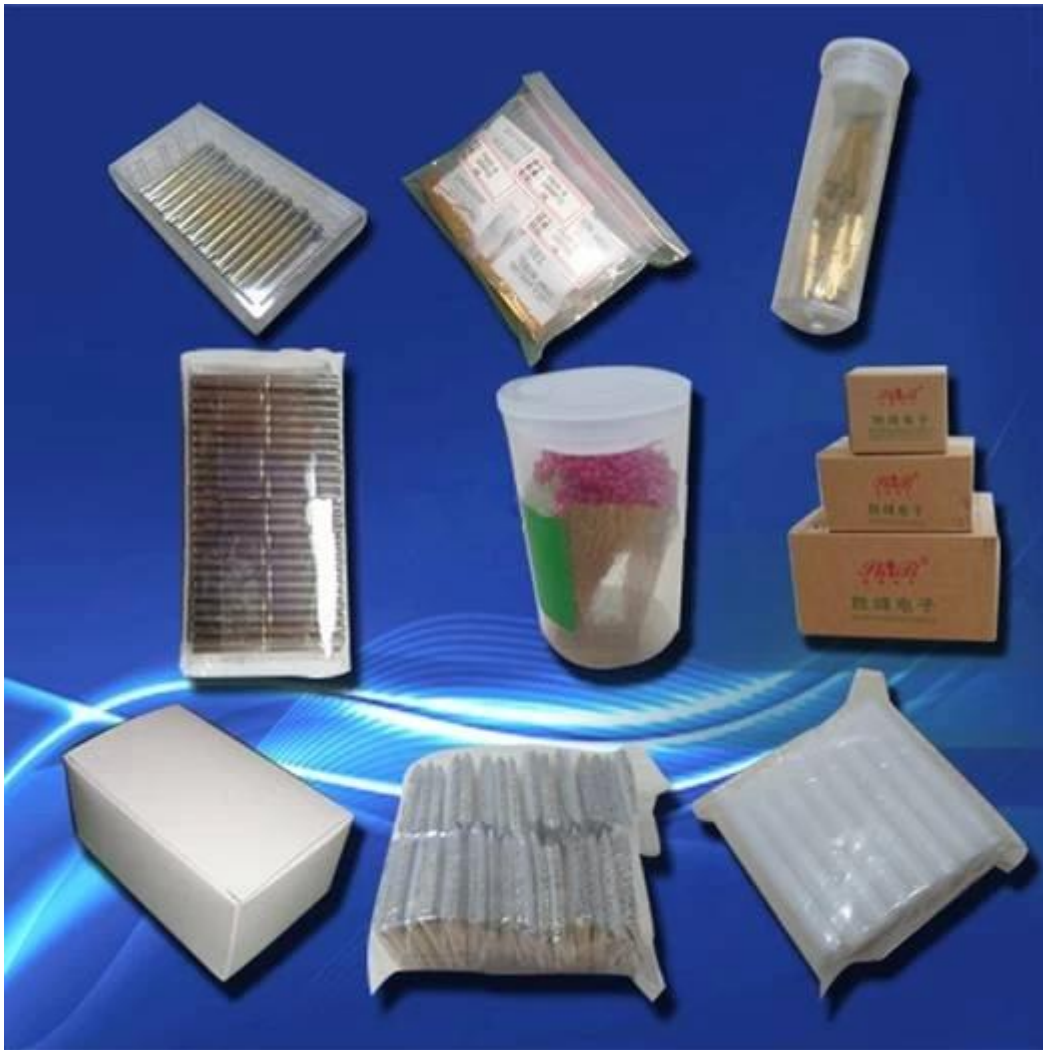


5. Life Fatigue Test



6. Microscope

## Our package



## Shipping information

Standard products will be delivered out within 3 days. Customized products will be sent out within 15 days.

