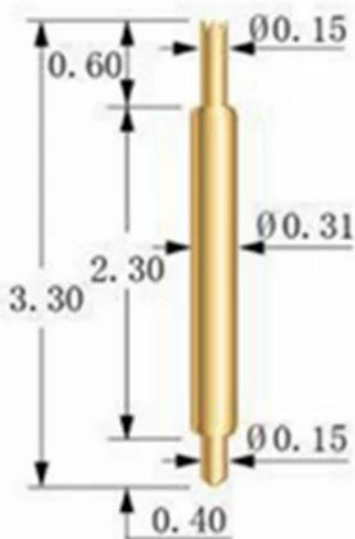


[China preço baixo 030 série cabeça redonda pino pogo de mola BGA pin carregado](#)

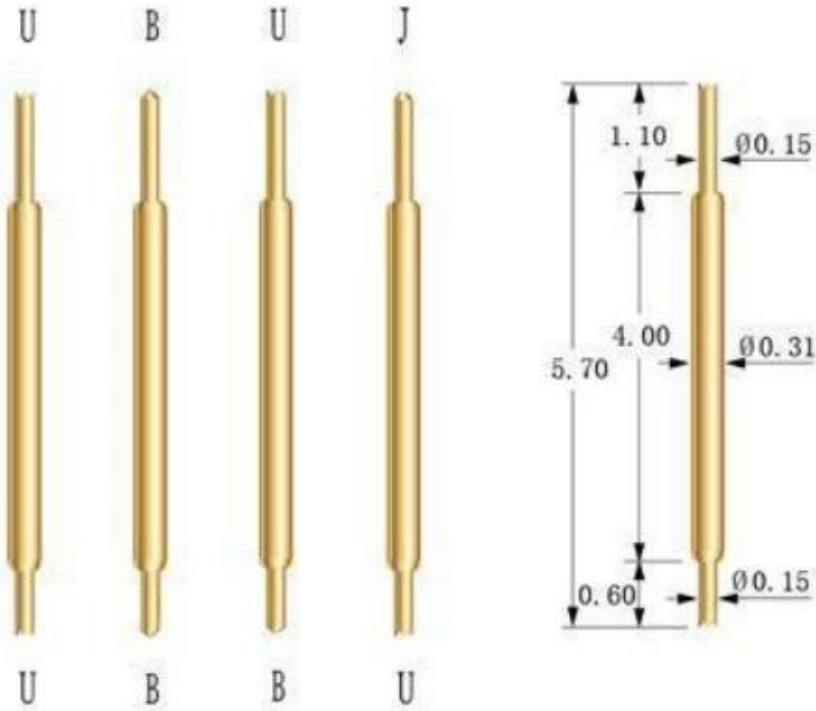
Especificação:

Marca	SFENG PROBE
Item Número	Pino pogo de cabeça dupla SF031U330U30
Desentupidor	Becu
Barril	PhBz
Primavera	SWP
Chapeamento	ouro banhado sobre níquel
Primavera força	30g ou personalizado
Contato Resistência	□ 50m ohm
Atual razão	1A
MOQ	100PCS E se nós ter estoque
Conduzir Tempo	2-15days depois de recebendo a Forma de pagamento

Cenário Mostrar:



SF031U570U20



SFENG
The China's The World's









Nossas vantagens:

1. we have 30 years experience in probe pin and have ourself factory.
2. we provide free sample and have a testing department.
3. we could manufacture products as your request.
4. we guarantee best price and good service.

Nosso principal produto:

Spring loaded pin (single) for PCB, ICT, FCT testing etc;
Pogo pin (connector) to establish connection between two printed circuit boards for charging, locating, Battery, Semiconductor & Interconnect applications;
Double ended probe for BGA and Semiconductor testing;
Universal pin without spring, coating pin, LM pin with QZ and VZ series;
High current probe, Switch probe, Capacitance needle;
Terminal & receptacle /socket;
Other related electronic components, 30# OK wire, Jig locks, POM, Iron hinge etc

Equipamento de teste:

Spring exhausted tester	DC power supply	Current resistance tester
		
Microscope	Tensile strength tester	Spring tester
		

Pacote:

