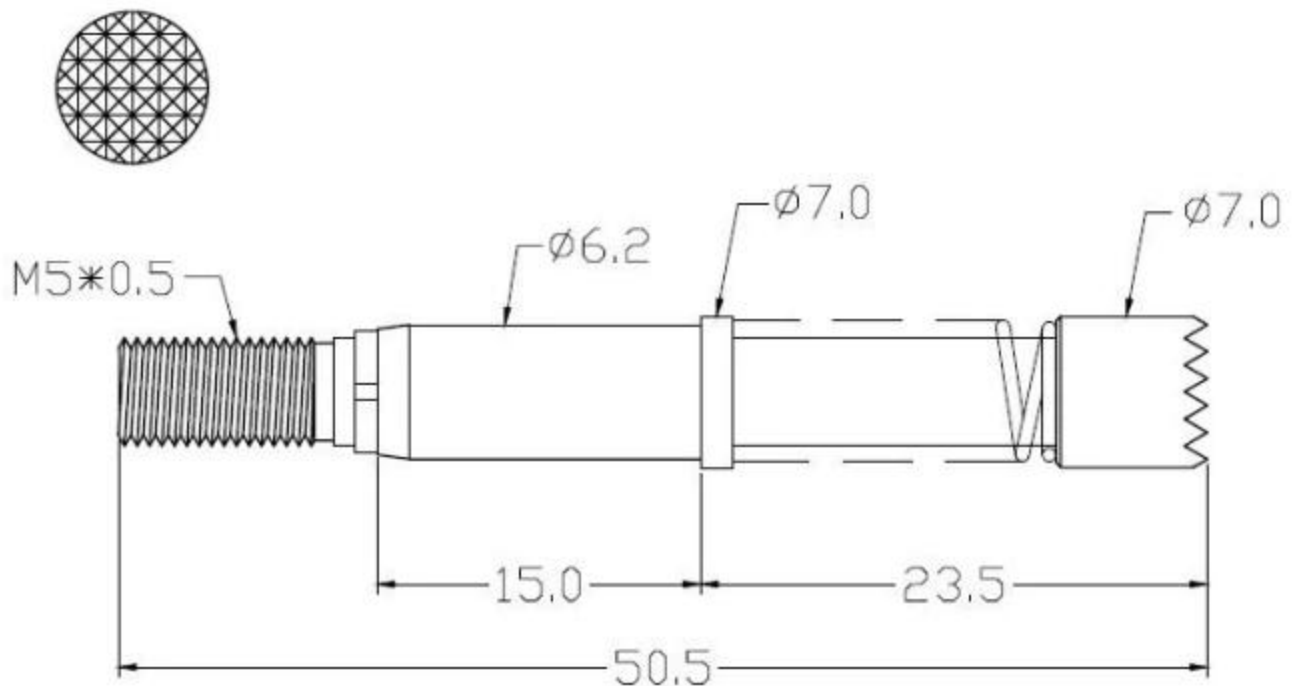


# 30A Current probe Battery probe

## Product Specification

Model	SF-7.0x50.5
Material	Copper Alloy
Current Rating	30A
Contact resistance (initial)	5.0mΩ
Full compression travel	≥6.0mm
Recommended work travel	1.5kg±20%

## Product Drawing



# Production line



## Production Flow (生产流程)



1. raw material warehouse



2. Lathe workshop



3. Assemble workshop



4. Quality inspection



5. Finished products



6. Packing

# Factory Image



## FAQ

---

# FAQ

---

## **1. What is terms of SFENG payment?**

Usually, we require 100% payment before delivery. You can choose Wire transfer and Pay Pal. The currency we accept are USD dollar, Japanese Yuan and RMB. Payment term is negotiable for special order.

## **2. What is the lead time of orders?**

SFENG can send standard probes products out within 3 days. For customized products, the lead time is 15-20 days depending on order quantity.

## **3.How does SFENG control product quality?**

SFENG have skilled QC team and professional testing equipment. From raw material to finished products, we have complete checking process. Only approved products are allowed to deliver to customer.

## **4. Can customized products be accepted?**

Yes, one biggest advantage of SFENG is product customization. Just telling us the parameter and function you need, our professional engineer will design product specially for you.

## **5.How does SFENG hand in case of a compliant?**

Compliant seldom happen. Usually, we will find root case and take corrective measure within one week since receiving defective samples.