

Product description

These coaxial probe pin can be used to measure the inner resistance of applications with very high currents and for charging and discharging of accumulator cells and batteries.

Product specifications

Item number	SF-30A Coaxial Pin 9.0*56.0
Full stroke	≥9.0mm
Spring force	2500g±15%gf@ load 5.0mm 600g±15%gf@ load 2.0mm
MOQ	200PCS
Package	Plastic bag, carton box
Payment term	100% T/T after shippment
Delivery time	5-10days after receiving the payment

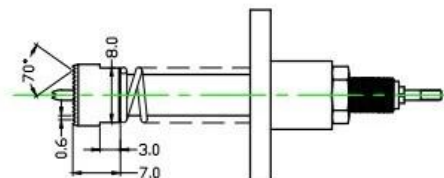
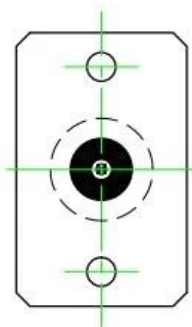
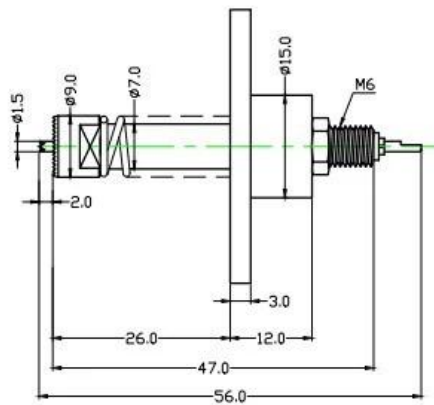
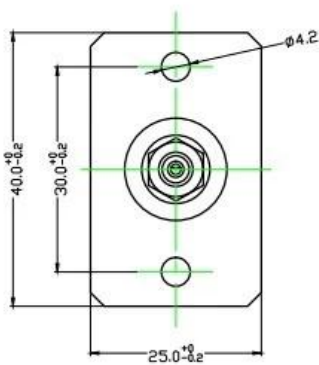
Product Pictures

SFENG

The China's The World's



WWW.SF-PROBE.COM



Production Flow



Production Flow (生产流程)



1. raw material warehouse



2. Lathe workshop



3. Assemble workshop



4. Quality inspection



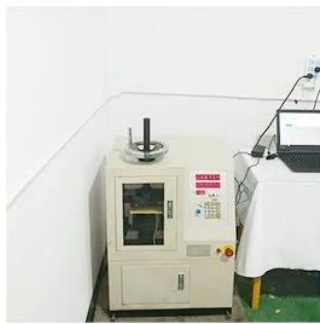
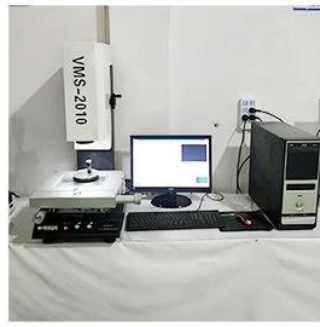
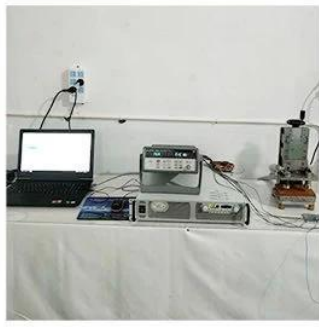
5. Finished products



6. Packing

Testing Equipment

Measuring Equipment >



Measuring Equipment:

1. Agilent current testing;
2. Quadratic element measurement
3. Load Curve Meter
4. Bond Test
5. Life Fatigue Test

Packing Pictures



Quality Certification



QMS CERTIFICATE OF REGISTRATION

Registration No.: 12815Q20988R0S

This is to certify that the Quality Management System of
Suzhou Shengteng Electronic Co., Ltd.

Organization code :55025791-9

Registered address: Suzhou high tech Zone Binhe Road, No.588 SEG electronics market 3D01 room
215400 P.R.China

Has been audited to conform to the following Quality Management
System Standard:
GB/T19001-2008

For the whole process of
Sales of probe and related accessory

First S.A.	贴标处
------------	-----

Second S.A.	贴标处
-------------	-----

Third S.A.	贴标处
------------	-----

The term of validity of the certificate, the certificate shall be at least once a year surveillance audit, With qualified logo, for the effective certificate.
The certificate information is available in the certification and Accreditation Administration of the People's Republic of China's official website: www.cnca.gov.cn

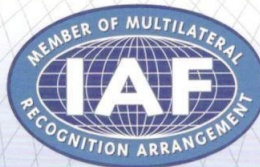
DATE OF ISSUE: 09-11-2015

DATE OF SUPERVISION : 09-11-2015

VALID UNTIL: 09-10-2018



Management System
CNAS C128-Q



Room 703, Building 1, No. 22, B, Fuchengmenwai Street,
Xicheng District, Beijing
010-68396010

Main products

- 1.Spring loaded pin(single)for PCB,ICT,FCTtesting etc;
- 2.Pogo pin(connector)to establish connection between two printed circuit boards for charging,locating,battery,semiconductor&interconnector applications;
- 3.Double ended probes for BGA and semiconductor testing;
- 4.Universal pin without spring,coating pin,LM pin with QZ and VZ series;
- 5.High current probe,switch probe,capacitance needle;
- 6.Terminal&receptacle/socket;
- 7.Other related electronic components,Jig locks,POM and etc.

Whatever you want,please contact us without hesitation ,and we will try our best to meet your requirement within our capability.

Our service

- 1.We can reply your inquiry within 24 working hours;
- 2.Customized design is available and OEM are welcomed;
- 3.We can deliver the probe pins to our clients all over the world with speed and precision.
- 4.We can provide the lowest price with high quality products to our clients.