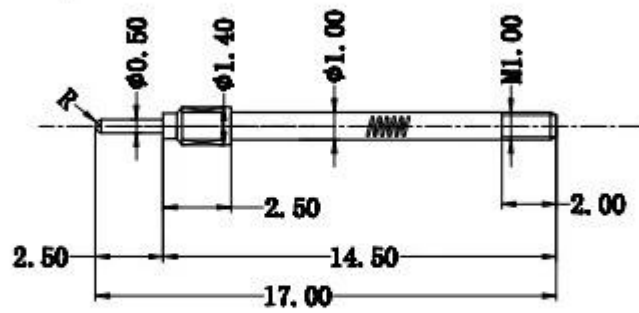


## ***Production specifications***

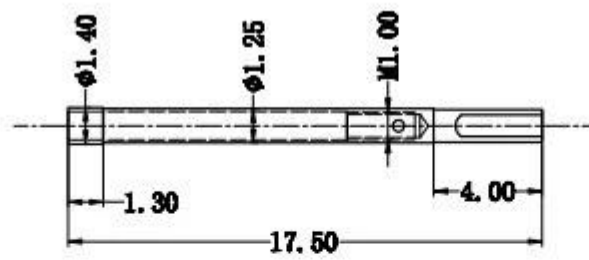
|                |  |
|----------------|--|
| Item number    | SF4448   |
| Size           | dia1.4*17.0mm  |
| Material       | Plunger:BeCu, Gold plated<br>Barrel:Brass, Gold plated |
| Current ration | 3A   |
| Spring force   | 80±10%g  |
| Payment        | T/T  |
| Delivery time  | 5-15days after receiving the payment                   |

## ***Product Pictures***

L101-J0.5\*2.5



L101-套管



材质：针头铍铜 针管黄铜 套管黄铜

电镀：针头 针管 套管均镀金

弹力：弹力80g $\pm$ 10%

电流：3A

## Production Flow



1. raw material warehouse



2. Lathe workshop



3. Assemble workshop



4. Quality inspection



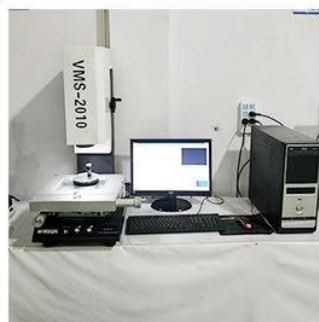
5. Finished products



6. Packing

## Testing Equipment

### Measuring Equipment >



#### Measuring Equipment:

1. Agilent current testing;
2. Quadratic element measurement
3. Load Curve Meter
4. Bond Test
5. Life Fatigue Test

## *Packing*



## *Main products*

- 1.Spring loaded pin(single)for PCB,ICT,FCTtesting etc;
- 2.Pogo pin(connector)to establish connection between two printed circuit boards for charging,locating,battery,semiconductor&interconnector applications;
- 3.Double ended probes for BGA and semiconductor testing;
- 4.Universal pin without spring,coating pin,LM pin with QZ and VZ series;
- 5.High current probe,switch probe,capacitance needle;
- 6.Terminal&receptacle/socket;
- 7.Other related electronic components,Jig locks,POM and etc.

**Whatever you want,please contact us without hesitation ,and we will try our best to meet your requirement within our capability.**

## *Our service*

- 1.We can reply your inquiry within 24 working hours;
- 2.Customized design is availble and OEM are welcomed;

3. We can deliver the probe pins to our clients all over the world with speed and precision.
4. We can provide the lowest price with high quality products to our clients.