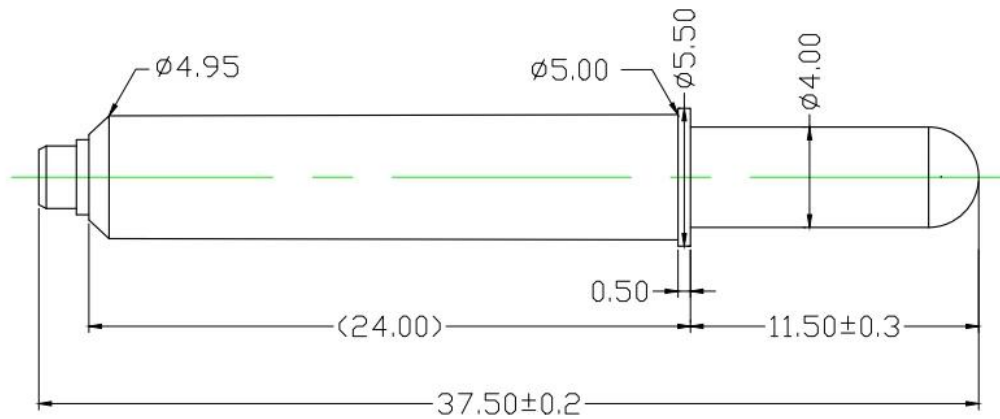


About Us

SFENG was founded in 1984 and headquartered in Ningbo. It is a professional enterprise integrating research, development, production, and sales. ([custom pcb pin socket supplier china](#)) Products include in-circuit spring test probe, semiconductor spring test probe, battery charging pogo pin and the related accessories. Products are widely used in technology, automobiles, energy, telecommunications, medical, and other peripheral electronic products.

Product Specification:

A guide pin is a cylindrical rod used in a component to align the components. Mechanical fasteners can help ensure stability, limit contact damage, and maintain precise positioning.



Materials (Plated) (材質與鍍層):
 Barrel (針套) : Brass (黃銅) , Ni Plated
 Plunger (針軸) : Brass (黃銅) , Ni Plated
 Spring (彈弓) : SUS (不銹鋼線) , /

Specifications (技術要求):
 Spring Force (額定彈力) : $500 \pm 20\%g$

日产能/8h		备注		名称:	胜峰科技			
单支料/数量		备注			SF-GP5.0X37.5-D			
设计	更改文件号	签字	日期	图样标记	视图	质量	比例	说明: 1. 所有尺寸单位为mm 2. 未注图示尺寸公差: 按GB1804-79 11级精度执行
校对		审 定		S	A	⊕	1:1	图纸编号:
审核		制 图	HJQ	共 1 页	第 1 页			
工艺		日 期	2020-9-3					

Product Parameters:

Product Name	Guide pin
Item No.	SF-5.0x37.5-D
Material	Copper or Iron
Plating	Ni plated

Full travel	10.0mm
Spring force	200±40gf@ load 10.0mm
Leadtime	7-10 days

Our Service

1. We can reply your inquiry within 24 working hours.
2. Customized design is available and OEM are welcomed.
3. We can deliver the probe pins to our clients all over the world with speed and precision.
4. We can provide the lowest price with high quality product to our client

Main Products

- 1.Spring loaded pin (single) for PCB, ICT, FCT testing etc;
- 2.Pogo pin (connector) to establish connection between two printed circuit boards for charging, locating, B attery, Semiconductor & Interconnect applications;
- 3.Double ended probe for BGA and Semiconductor testing;
- 4.Universal pin without spring, coating pin, LM pin with QZ and VZ series;
- 5.High current probe, Switch probe, Capacitance needle;
- 6.Terminal & receptacle /socket;
- 7.Other related electronic components, 30# OK wire, Jig locks, POM, Iron hinge etc

If you require custom items, please feel free to send us inquiry for more solutions!

Package:



Production Flow



1. Raw material warehouse



2. Lathe workshop



3. Assemble workshop



4. Quality inspection



5. Finished products



6. Packing

Quality Control



1. Agilent current testing



2. Quadratic element



3. Load Curve Meter



4. Bond Test



5. Life Fatigue Test



6. Microscope

FAQ:

Q1.Are you a manufacturer?

A1: Yes, we are an experienced manufacturer with our own molds and production lines.

Q2.How about quality of products?

A2: Our technicians and QC teams test the products one by one using aging line, professional devices and instruments to ensure the quality for all products.

Q3.How about price?

A3: We are a manufacturer and always offer our customers the most competitive prices.

Q4.How to place an order?

A4: Contact with online service, or sent email to us directly, we will reply to you with product price, specifications, packing etc. soon. Thank you.

Q5.May I buy samples from you?

A5: Yes! You are welcome to place sample order to test our superior quality and service, mixed samples are acceptable.

Q6.Can I visit your factory?

A6: Yes, welcome to visit our factory at your convenient time.

Q7.How can I make OEM or ODM orders?

A7: We have different print processing for different OEM/ODM orders. Please contact us with online service or send email to us directly.

Q8. How should I pay for my orders?

A8: You can pay by T/T, L/C at sight would be available for qualified bank and MOQ required for each order.

Logistics:

Sample order ship by DHL, UPS, FedEx, TNT, EMS etc

For mass order delivery, can be optional with terms of Exwork, FOB, CNF, CIF by air or by sea based on the buyer's forwarder or ours



Certifications





Exhibition & Fair



CIBF 2021

苏州胜亿福睿电子科技有限公司
Suzhou Shengyifurui Electronic Technology Co., Ltd

No.3B013

