

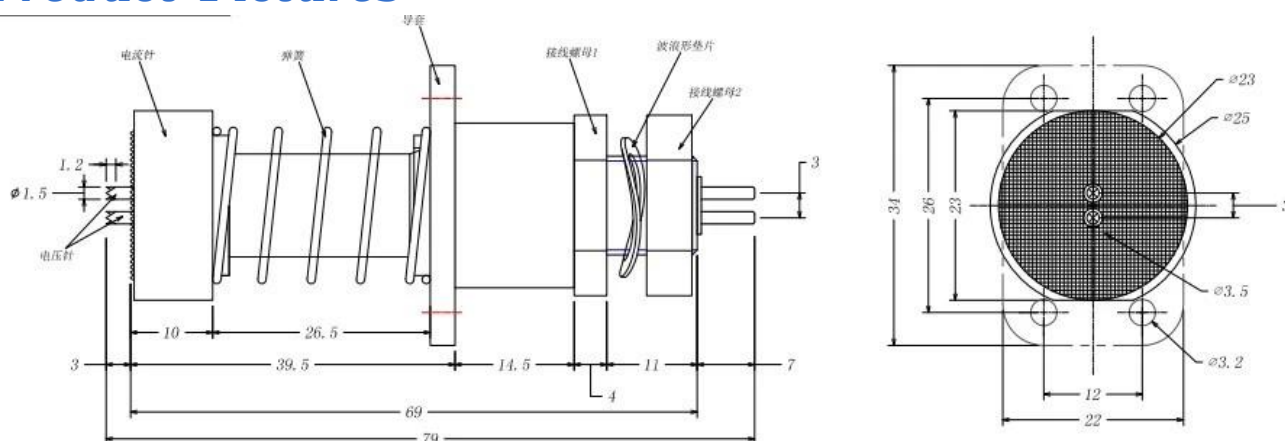
## Product description

These coaxial probe pin can be used to measure the inner resistance of applications with very high currents and for charging and discharging of accumulator cells and batteries.

## Product specifications

Item number	SF2735
Full stroke	Current pin:10mm Voltage pin:4mm
Working stroke	Current pin:5mm Voltage pin:3mm
Spring force	10±20%kg at working stroke 450~550g at working stroke
MOQ	200PCS
Package	Plastic bag, carton box
Payment term	100% T/T after shipment
Delivery time	5-10days after receiving the payment

## Product Pictures



## Production Flow



1. raw material warehouse



2. Lathe workshop



3. Assemble workshop



4. Quality inspection



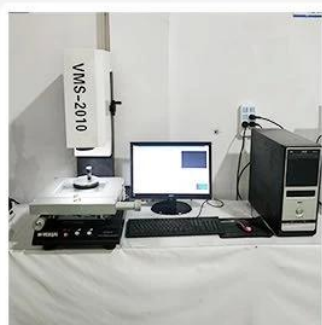
5. Finished products



6. Packing

## Testing Equipment

### Measuring Equipment >



#### Measuring Equipment:

1. Agilent current testing;
2. Quadratic element measurement
3. Load Curve Meter
4. Bond Test
5. Life Fatigue Test

## Packing Pictures



***Quality Certification***



# QMS CERTIFICATE OF REGISTRATION

Registration No.: 12815Q20988R0S

This is to certify that the Quality Management System of  
**Suzhou Shengteng Electronic Co., Ltd.**

Organization code :55025791-9

Registered address: Suzhou high tech Zone Binhe Road, No.588 SEG electronics market 3D01 room  
215400 P.R.China

Has been audited to conform to the following Quality Management  
System Standard:  
GB/T19001-2008

For the whole process of  
Sales of probe and related accessory

First S.A.	贴标处
------------	-----

Second S.A.	贴标处
-------------	-----

Third S.A.	贴标处
------------	-----

The term of validity of the certificate, the certificate shall be at least once a year surveillance audit, With qualified logo, for the effective certificate.  
The certificate information is available in the certification and Accreditation Administration of the People's Republic of China's official website: [www.cnca.gov.cn](http://www.cnca.gov.cn)

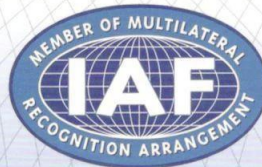
DATE OF ISSUE: 09-11-2015

DATE OF SUPERVISION : 09-11-2015

VALID UNTIL: 09-10-2018



Management System  
CNAS C128-Q



Room 703, Building 1, No. 22, B, Fuchengmenwai Street,  
Xicheng District, Beijing  
010-68396010

**Main products**

- 1.Spring loaded pin(single)for PCB,ICT,FCTtesting etc;
- 2.Pogo pin(connector)to establish connection between two printed circuit boards for charging,locating,battery,semiconductor&interconnector applications;
- 3.Double ended probes for BGA and semiconductor testing;
- 4.Universal pin without spring,coating pin,LM pin with QZ and VZ series;
- 5.High current probe,switch probe,capacitance needle;
- 6.Terminal&receptacle/socket;
- 7.Other related electronic components,Jig locks,POM and etc.

Whatever you want,please contact us without hesitation ,and we will try our best to meet your requirement within our capability.

## ***Our service***

- 1.We can reply your inquiry within 24 working hours;
- 2.Customized design is available and OEM are welcomed;
- 3.We can deliver the probe pins to our clients all over the world with speed and precision.
- 4.We can provide the lowest price with high quality products to our clients.