

Specifications

Brand	SFENG
Model	SF-PH101
Plunger	Steel
Body	Plastic
Spring	SUS
Spring force	200g
Working travel	15mm
Plated	Nickel plated
Current Resistance	50mΩ
Spacing	/
Mounting dimensions	/
MOQ	100
delivery time	3 Days after confirming order

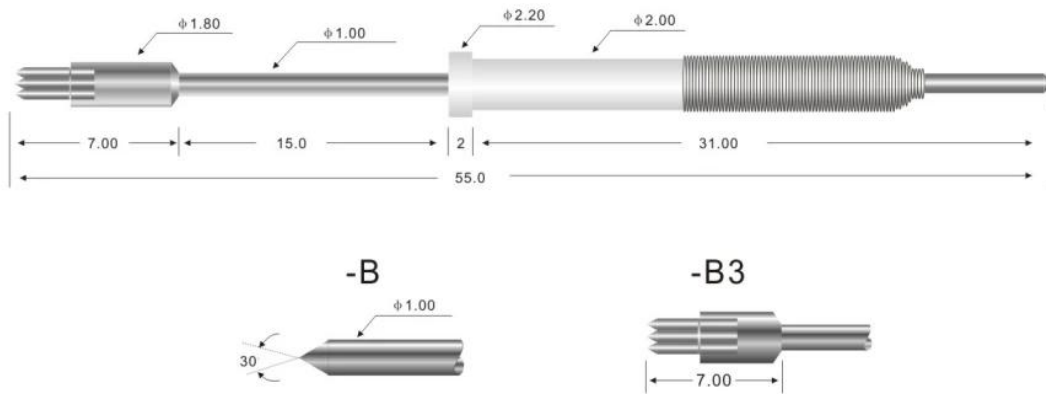
Customized probe pin Image

SFENG
The China's The World's



Customized probe pin drawing

SF-PH101-B3



our service

1. Quick response.
2. Customized is accepted.
3. Short production time and fast delivery.
4. High quality and good price.

Main products

Spring-loaded pin (single) of PCB, ICT, FCT testing;

Spring pin (connector) to establish a connection between two printed circuit boards for charging, positioning, batteries, semiconductors and amplifiers; interconnect applications;

BGA and semiconductor test double-ended probe;

Universal pin no spring, paint needle, LM pin QZ and VZ series;

High current probe, the probe switches, capacitors needle;

Pier and amplifier; socket / socket;

Other related electronic components, 30 # OK line, jig lock, POM, iron hinges, etc.

Production process



1. Raw material warehouse



2. Lathe workshop



3. Assemble workshop



4. Quality inspection

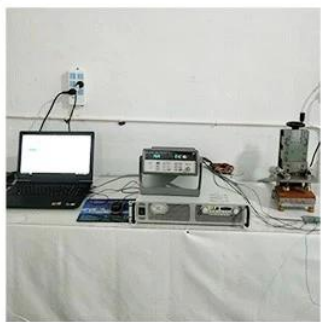


5. Finished products



6. Packing

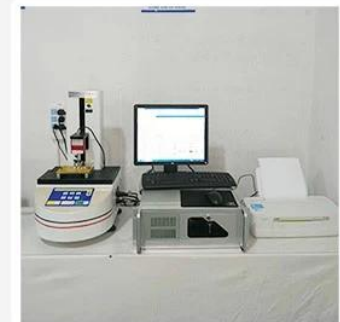
Testing equipment



1. Agilent current testing



2. Quadratic element



3. Load Curve Meter



4. Bond Test



5. Life Fatigue Test



6. Microscope

Packing & delivery

Standard products will be delivered out within 3 days. Customized products will be sent out within 15 days.

