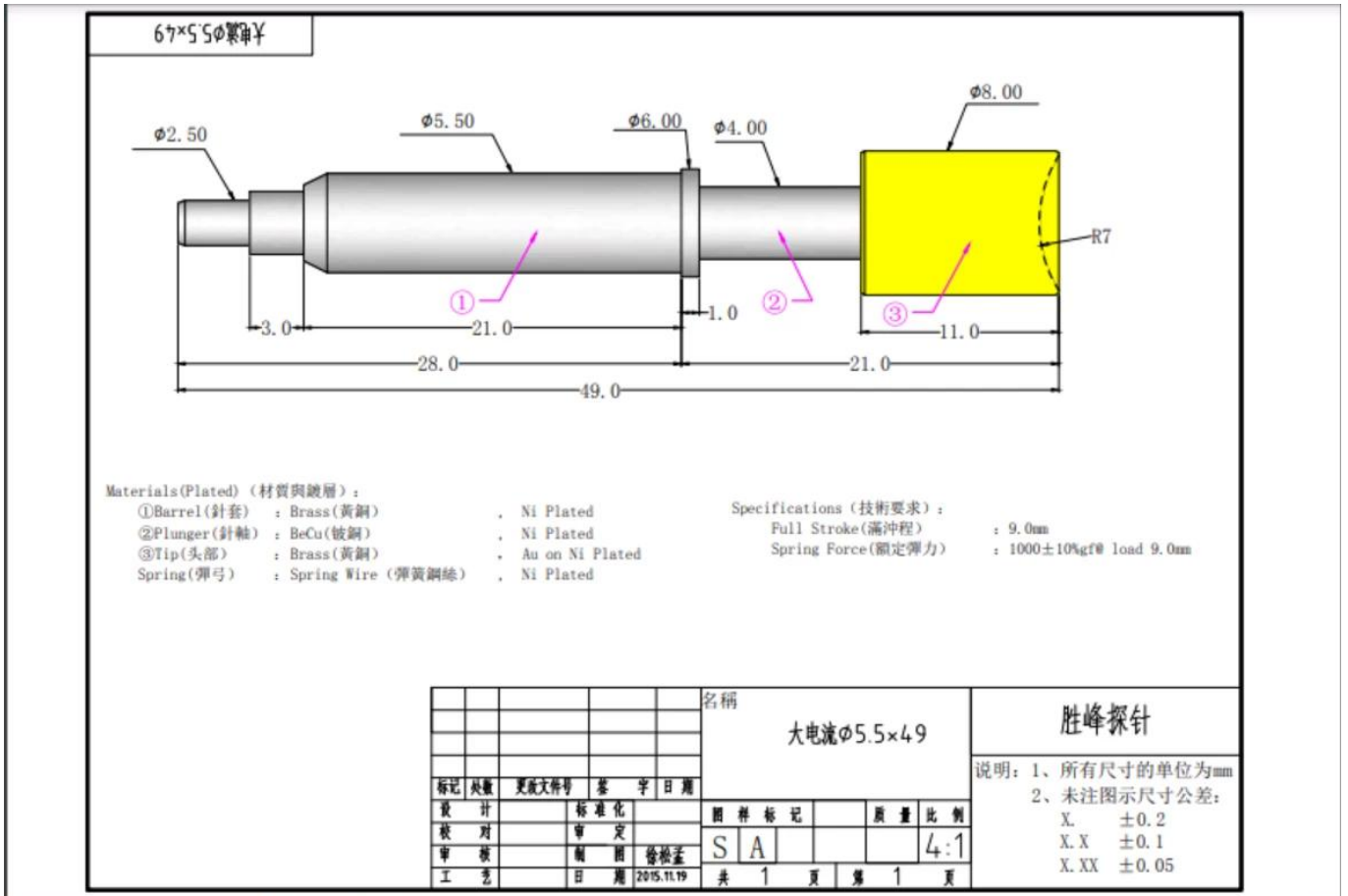


## Product information

Item	SF-PPA5.5X49
Plunger	Beryllium copper
Body	brass
Spring	Stainless steel
Spring force	1000g±10%
MOQ	500pcs
Lead time	7 days

## Product drawing



## Product real picture

**SFENG**  
The China's The World's



Factory

