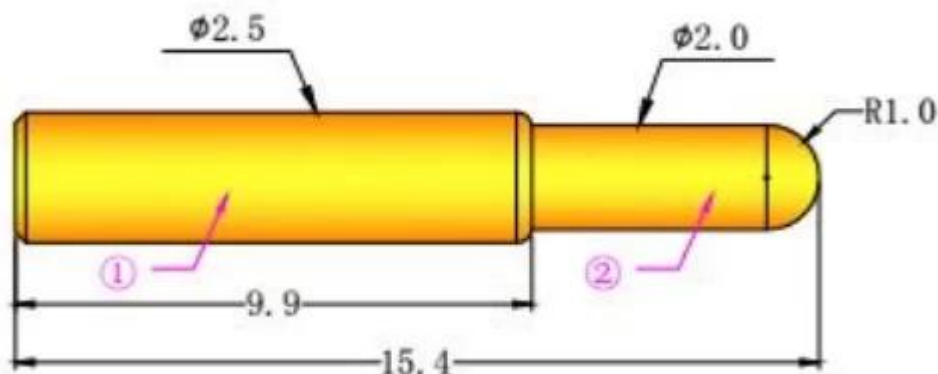


Specification

Item Code	SF-PPA2.5*15.4
Material	Barrel: Brass, Au on Ni plated Plunger: Brass, Au on Ni plated Spring: SUS304
Current Rating	2A
Contact Resistance	□50mΩ
Rated Stroke	3.0mm
Spring force	120±10% gf@load 3.0mm

Pictures



ShengFeng Probe

Our company established in 1984, Shengfeng Probe, the register name of Suzhou Shengteng Electronic Co., Ltd, specializing in the spring probe & the pogo pin & Terminal block with good quality, fast delivery and best service.

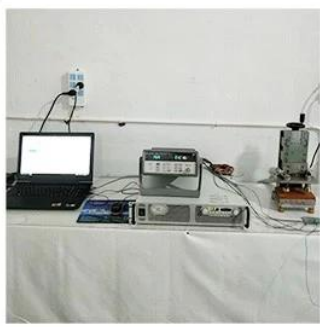
Our Advantages

1. we have 30 years experience in probe pin and have ourself factory.
2. we provide free sample and have a testing department.
3. we could manufacture products as your request.
4. we guarantee best price and good service.

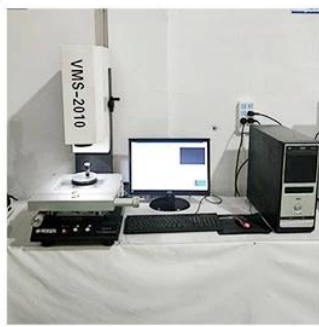
Our factory



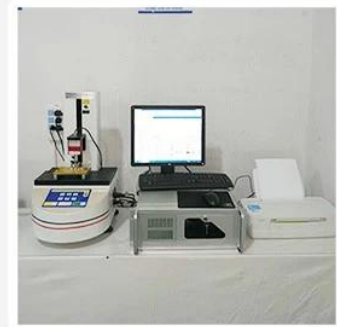
Our equipment



1. Agilent current testing



2. Quadratic element



3. Load Curve Meter



4. Bond Test

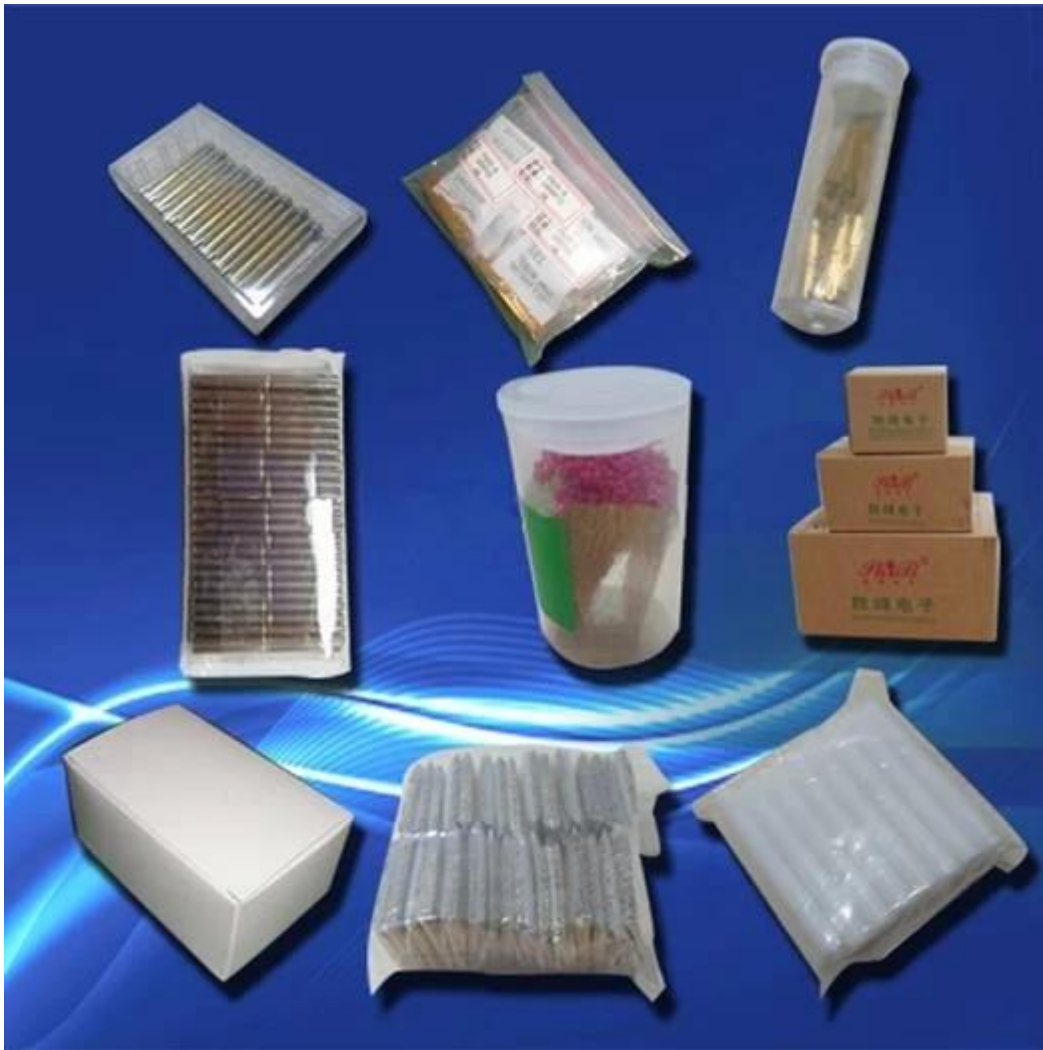


5. Life Fatigue Test



6. Microscope

Our package



Shipping information

Standard products will be delivered out within 3 days. Customized products will be sent out within 15 days.

