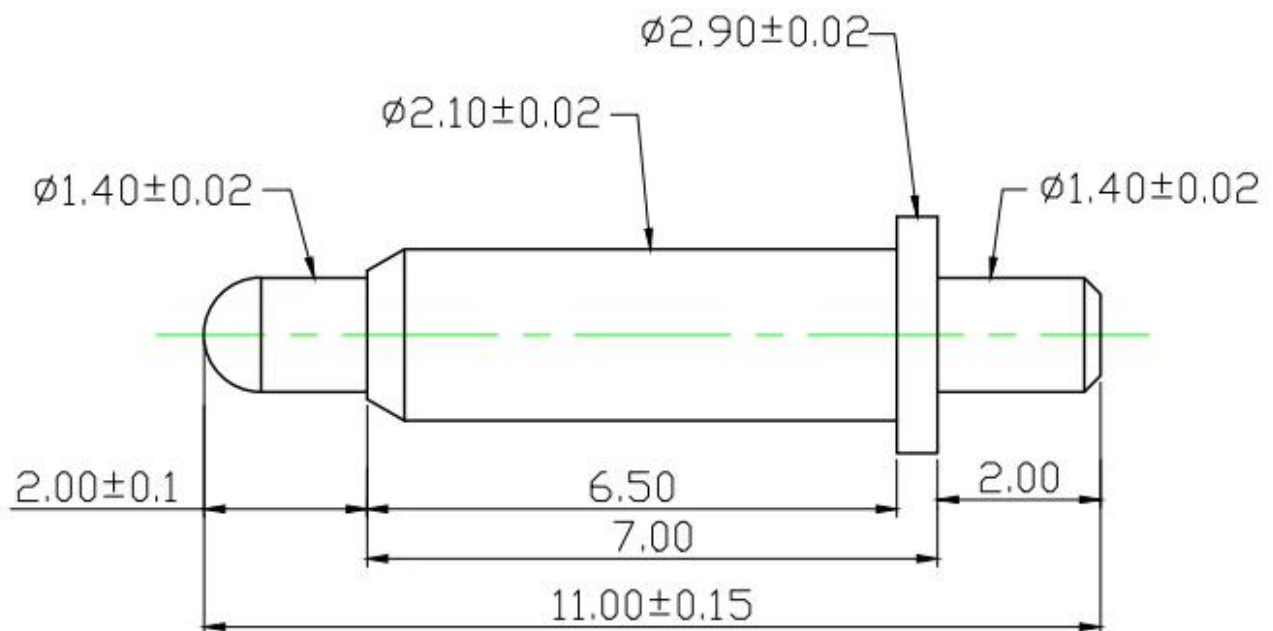


## Product Specification

Brand	SFENG
Item number	SF-Pogo Pin 2.1x11.0-J
Plunger	Brass
Barrel	Brass
Spring	SUS
Spring Force	150g
Full Travel	2.0mm
Current Ration	2A
Current Resistance	80mΩ
MOQ	100 pcs
Lead time	7 working days after receiving the payment

## Product Drawing



## Product Picture

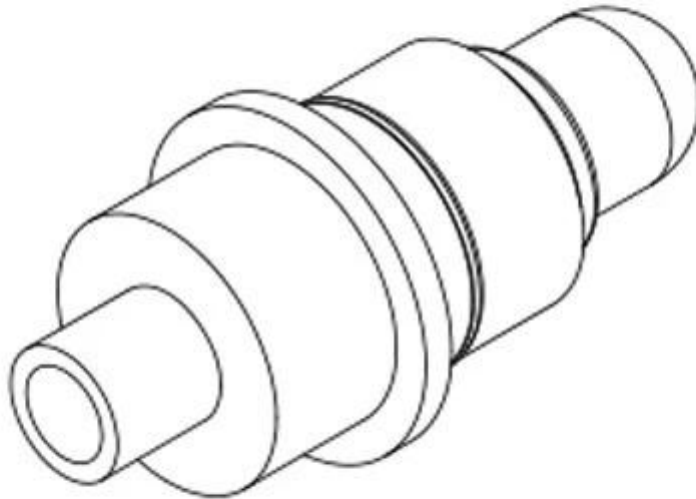
**SFENG**

The China's The World's



[chinapogopinsupplier.com](http://chinapogopinsupplier.com)

**SFENG**  
The China's The World's



[chinapogopinsupplier.com](http://chinapogopinsupplier.com)

## **Our Service**

1. Reply your inquiry within 24 working hours.
2. Customized design is available, OEM are welcomed.
3. Delivery the probe pins to our clients all over the world with speed and precision.
4. Provide the lowest price with high quality products to our clients.

## **Main Products**

- Spring loaded pin (single) for PCB, ICT and FCT testing etc;
- Pogo pin (connector) to establish a (usually temporary) connection between two printed circuit boards for charging, locating, Battery, Semi-conductor & inter-connect Applications;

---Double ended probe for BGA & semi-conduction testing;

---Universal pin without spring, coating pin,LM pin with QZ & VZ series;

---High current probe, Switch probe, Capacitance needle.

---Terminal & receptacle /socket;

---Other related electronic compents, 30# OK wire, Jig locks, POM rod and Iron hinge etc

## **Quality Control**



## **Packing Picture**

