

normally open spring contact probes switch probe SF-265-F300

[SWITCH PROBE INTRODUCTION](#)

A [Switch Probe](#) is a spring contact probe and receptacle combination that is normally open, and after a designated travel the [switch probe](#) closes. The most common use for switch probes is in the cable harness testing industry. The switch probe is used to verify the correct location of a terminal in a connector while checking the retention force as well.

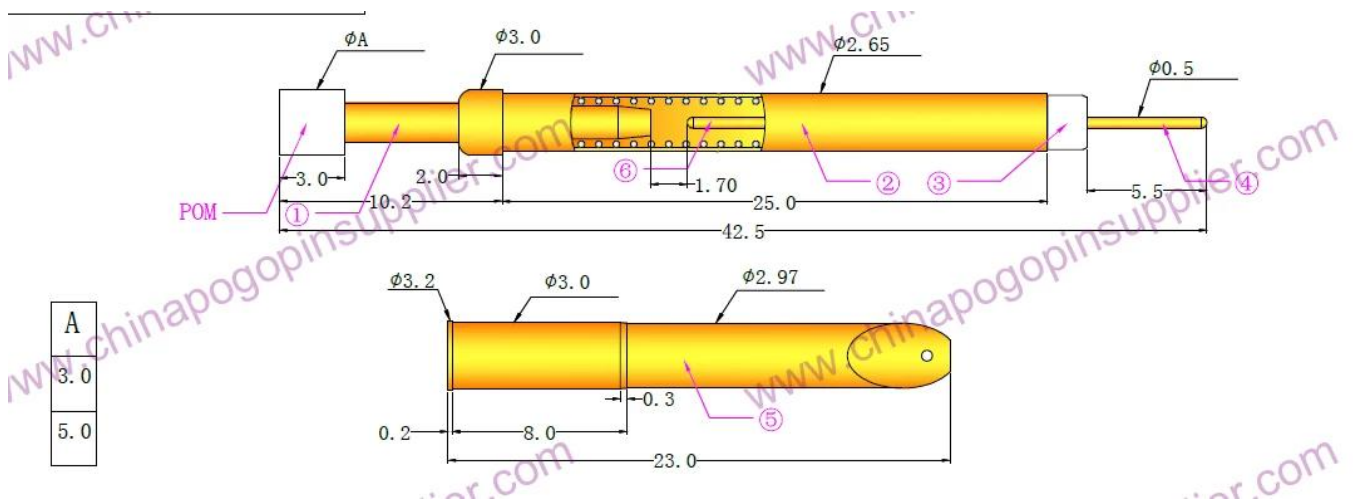
Switch probes also verify the presence of nonconductive components such as caps for connectors or devices on a circuit board. SFENG probes can offer different standard sizes of switch probes.

SWITCH PROBE Specification

Switch probe model	SF265-F300
Plunger material	Be Cu, Au on Ni plated
Barrel material	Brass, Au on Ni plated
Insulation sleeve	peek
Solder connection	Be Cu, Au on Ni plated
Switch probe receptacle	brass,Au on Ni plated
Spring	SWP
Switch probe condition	normally open

Providing kinds of spring pogo pin solutions to satisfy different testing environment. We can produce according to your needs or design drawings or samples so if you have this demand please send us the drawings or samples you have we will quote for you ASAP.

***Product Drawing**



*SFENG OTHER PRODUCTS

- a. Spring loaded pin (single) for PCB, ICT, FCT testing, etc
- b. Pogo pin (connector) to establish a (usually temporary) connection between two printed circuit boards for charging
- c. Double ended probe for BGA & semiconduction testing;
- d. Universal pin without spring, coating pin, LM pin with QZ & VZ series;
- e. High current probe, Switch probe, Capacitance needle
- f. Terminal & receptacle/ socket;
- h. Other related electronic compents, 30# OK wire, Jig locks, POM, Iron hinge, etc.

*FACTORY SHOW

